

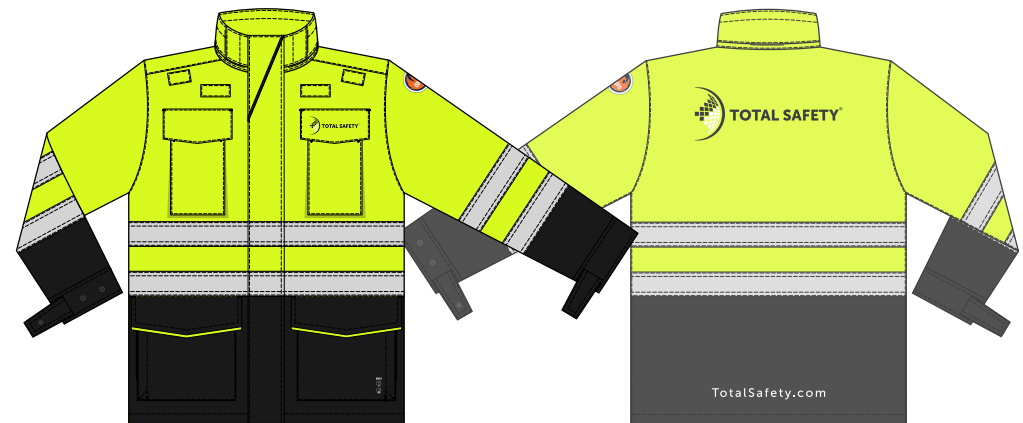
Dapro Total Safety Starterspakket

PRODUCT CODE: TWTSASET-BL/HVYE

Bestaat uit: Jacket, Pant, Outerwear Jacket en Bodywarmer.



PRODUCT CODE: TW TSA3.2J-*



PRODUCT CODE: TOTS A3.2J-*



PRODUCT CODE: TW TSA3.2P-*



PRODUCT CODE: TOTS A3.2B-*





Dapro Tailormade TSA 3.2 Outerwear Jacket

PRODUCT CODE: TOTSA3.2J-*

CUSTOMER SIGNATURE: _____

C9-2 Certification and fabric information



EN ISO 13688:2013
(EN 340:2003)

EN ISO 14116:2015
Outer: index 1
Inner: index 3



EN 1149-5:2018



EN 13034:2005
+A1:2009
type PB[6]



EN 343:2019



EN ISO 20471:2013
+A1:2016

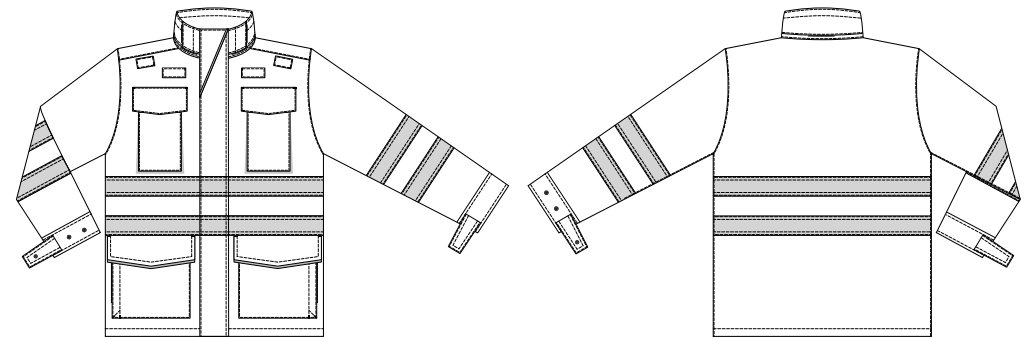
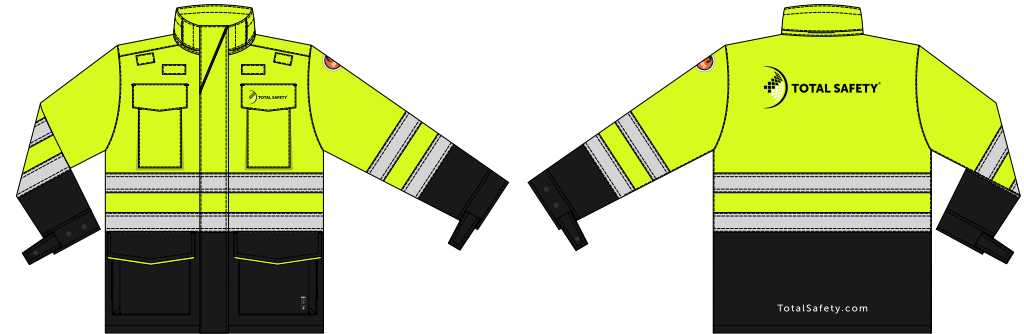


- 98% Guardian / 2% Anti-static
- Flame retardant and Anti-static
- H2O water & windproof
- Water, oil, grease and dirt repellent finish



Features

- > Center front with concealed **vislon zipper** and hook-and-loop closure
- > **Gas detector loops** and extra portophone loops on chest at both sides
- > Portophone pockets with ID flap on chest at both sides
- > Lower pockets with safety flap and concealed hook-and-loop closure
- > Side entry pocket behind lower pockets with concealed zipper closure
- > **Goggle pocket** inside
- > **Adjustable cuffs** with snap button closure
- > Compatible with detachable hood
- > Compartment for storing hood in collar
- > Prolux® 50mm FR reflective striping



Available in colors:

Oil Black | **Hi-Vis Yellow** | BL/HVYE

Sizing: US 2XS-4XL



Extensive Bartacks



5 Thread Safety Stitch



Breathable Fabric



Waterproof



YKK® One-Way Zipper



Double Gas Loop



Lower Arm Striping



Adjustable Hems/Cuffs



Dapro Tailormade TSA 3.2 Bodywarmer

PRODUCT CODE: TOTS3.2B-*

CUSTOMER SIGNATURE: _____

C9-1 Certification and fabric information



EN ISO 13688:2013
(EN 340:2003)

EN ISO 14116:2015
Outer: index 1
Inner: index 3



EN 1149-5:2018



EN 13034:2005
+A1:2009
type PB[6]



EN 343:2019



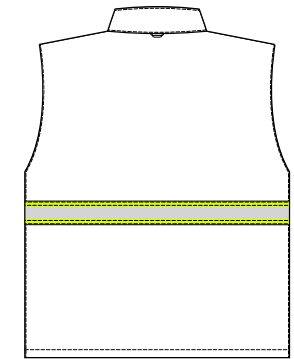
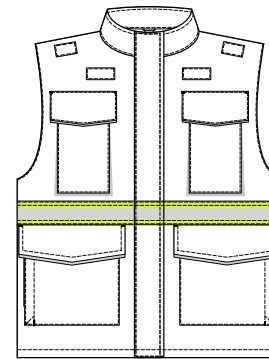
Guardian H2O Lifetime Flame Retardant

- 98% Guardian / 2% Anti-static
- Flame retardant and Anti-static
- H2O water & windproof
- Water, oil, grease and dirt repellent finish



Features

- > Center front with concealed **vislon zipper** and hook-and-loop closure
- > **Gas detector loops** and extra portophone loops at both sides on chest
- > Portophone pockets on chest at both sides with ID flap
- > Lower pockets with safety flap and concealed hook-and-loop closure
- > Side entry pocket behind lower pockets with concealed zipper closure
- > Prolux® 50mm FR reflective striping



Available in colors:

Oil Black BL

Sizing: US 2XS-4XL



Extensive Bartacks



5 Thread Safety Stitch



Breathable Fabric



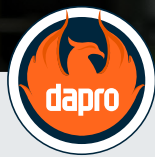
Waterproof



YKK® One-Way Zipper



Double Gas Loop



Dapro Tailormade TSA 3.2 Jacket

PRODUCT CODE: TW TSA3.2J-*

CUSTOMER SIGNATURE: _____

C4-A Certification and fabric information



EN ISO 13688:2013
(EN 340:2003)



EN ISO 11612:2015
A1 B1 C1 F1



EN ISO 14116:2015
Index 3



EN ISO 11611:2015
A1 Class 1



EN 1149-5:2008



EN 13034:2005
+A1:2009
Type 6



IEC 61482-2:2009
Class 1



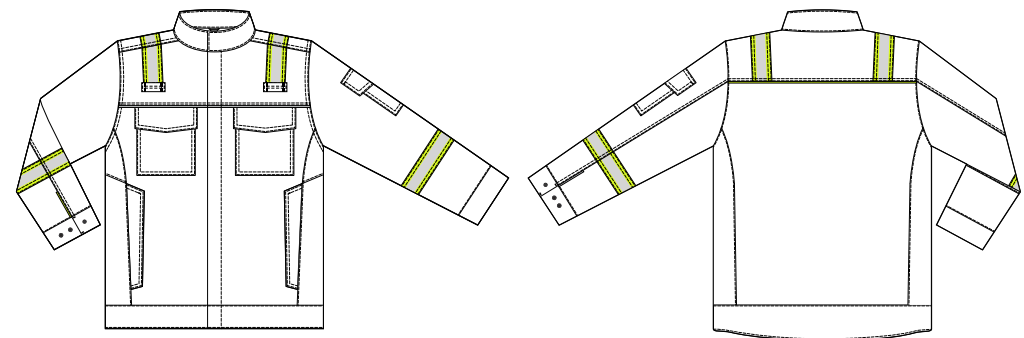
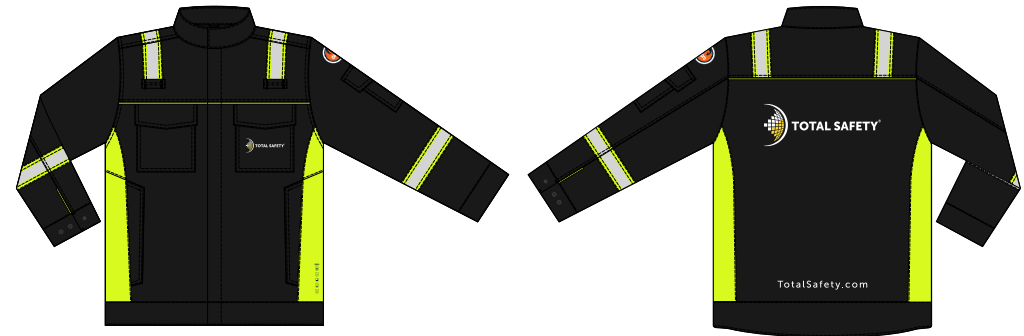
Guardian
Inherent
Flame
Retardant

- 99% Guardian / 1% Anti-static
- Flame retardant and Anti-static
- Chemical proof



Features

- > Extra high collar protects against heavy wind and rain
- > **Gas detector loops** on both sides
- > **Pen pocket** with safety flap and concealed snap button closure at left hand side sleeve
- > Center front with concealed zipper and hook-and-loop closure
- > Extra snap button at center front waistband
- > Welled lower pockets with safety flap and hook-and-loop closure
- > Chest pockets with safety flap and concealed snap button closure
- > **Adjustable cuffs** with FR plastic snap buttons on the outside
- > Prolux® 50mm Yellow/Grey FR reflective striping



Available in colors:

Oil Black Hi-Vis Yellow BL/HVYE

Sizing: US 2XS-4XL



Extensive
Bartacks



5 Thread
Safety Stitch



YKK® One-
Way Zipper



Double
Gas Loop



Lower Arm
Striping



Adjustable
Hems/Cuffs



Dapro Tailormade TSA 3.2 Pant

PRODUCT CODE: TW TSA3.2P-*

CUSTOMER SIGNATURE: _____

C4-A Certification and fabric information



EN ISO 13688:2013
(EN 340:2003)



EN ISO 11612:2015
A1 B1 C1 F1



EN ISO 14116:2015
Index 3



EN ISO 11611:2015
A1 Class 1



EN 1149-5:2008



EN 13034:2005
+A1:2009
Type 6



IEC 61482-2:2009
Class 1



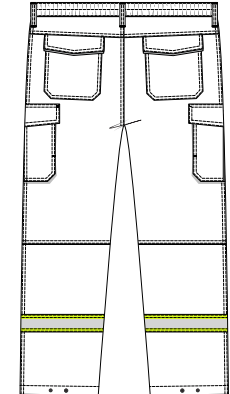
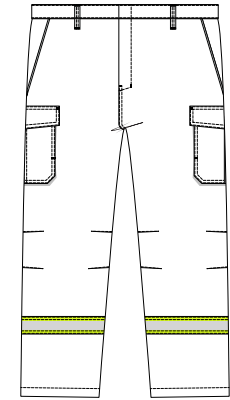
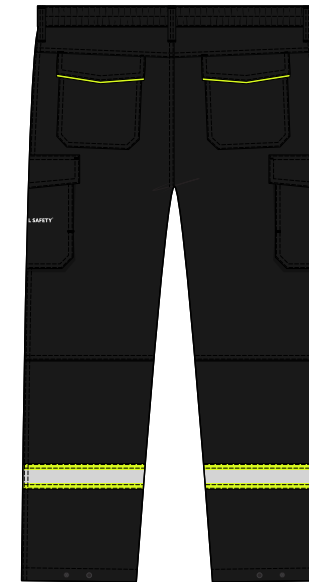
Guardian
Inherent
Flame
Retardant

- 99% Guardian / 1% Anti-static
- Flame retardant and Anti-static
- Chemical proof



Features

- > **Zipper fly** closure with concealed jeans button
- > Side pockets with safety flap and concealed snap button closure
- > Back pockets with safety flap and concealed snap button closure
- > **Cargo pocket** with safety flap and concealed snap button closure at both sides
- > Elastic waistband for perfect fit
- > **Adjustable hems**
- > Prolux® 50mm Yellow/Grey FR reflective striping



Available in colors:

Oil Black BL

Sizing: US 2XS-4XL



Extensive
Bartacks



5 Thread
Safety Stitch



Adjustable
Hems/Cuffs

Logo Specifications

PRODUCT CODE: TOTSA3.1J-BL/HVYE



Company logo S0266
Heat transfer seal
On chest pocket flap LHS
Color: **according to artwork**
Size: 100 x 36mm



Company logo S0271
Heat transfer seal
On back above waist
Color: **according to artwork**
Size: 230 x 23mm



Company logo S0283
Heat transfer seal
Center back
Color: **according to artwork**
Size: 300 x 108mm

Logo Specifications

PRODUCT CODE: TOTSA3.2B-BL



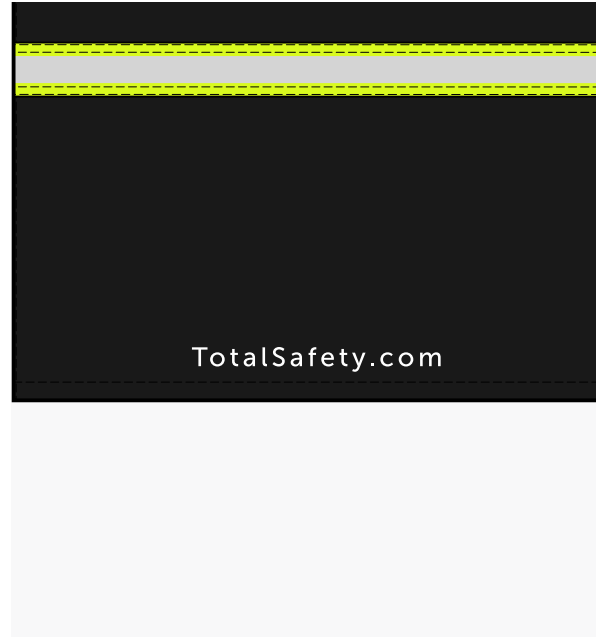
Company logo S0114

Heat transfer seal

On chest pocket flap LHS

Color: **according to artwork**

Size: 100 x 36mm



Company logo S0271

Heat transfer seal

On back above waist

Color: **according to artwork**

Size: 230 x 23mm



Company logo S0282

Heat transfer seal

Center back

Color: **according to artwork**

Size: 300 x 108mm

Logo Specifications

PRODUCT CODE: TW TSA3.2J-BL/HVYE



Company logo S0114
Heat transfer seal
On chest pocket LHS
Color: **according to artwork**
Size: 100 x 36mm



Company logo S0271
Heat transfer seal
On back above waist
Color: **according to artwork**
Size: 230 x 23mm



Company logo S0282
Heat transfer seal
Center back
Color: **according to artwork**
Size: 300 x 108mm

Logo Specifications

PRODUCT CODE: TW TSA3.2P-BL



Company logo S0114

Heat transfer seal

On cargo pocket LHS

Color: **according to artwork**

Size: 100 x 36mm